

4"

PAR20



A2020

A2020



A2020-13



Downlight



Damp location



Line voltage : PAR20



Reflector



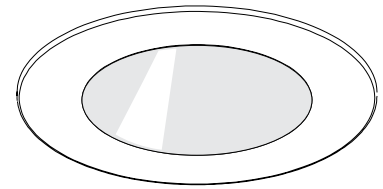
Standard: semi-specular low iridescence aluminum

Trim finishes



Ex.: A2020-03

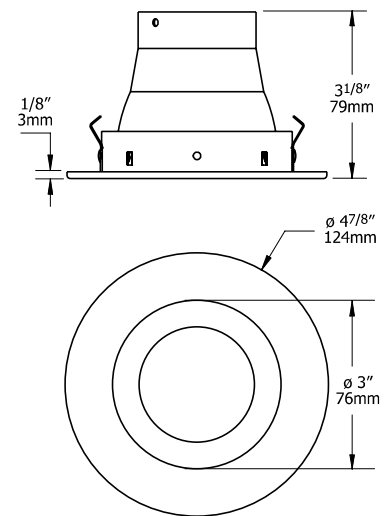
For exterior use and Wet Locations, **MARINE GRADE** treatment is recommended. May be applied on finishes: -01, -02, -05, -06, -11, -14 and -15. See page 317 for more details. Add **MG** to code. Ex.: A2020-11**MG**



A2020 Specs and codification

Trim codification A2020-05MG

MODEL	TRIM FINISH	MARINE GRADE
A2020	-05	MG
	-01 -02 -03 -04 -04BR -05 -06 -07 -08 -11 -12BR -13 -14 -15 -16	MG May be applied on finishes: -01, -02, -05, -06, -11, -14 and -15.



Housings Specifications Line voltage : PAR20

New Construction	W	HOLE CUT	LENGTH	WIDTH	HEIGHT
NW2000CA	50W	4 1/4" (108mm)	15 3/8" (391mm)	10" (254mm)	4 3/8" (111mm)
Remodel					
CA2000	50W	4 1/4" (108mm)	12 1/4" (311mm)	5 1/8" (130mm)	6" (152mm)
Insulated Ceiling (IC)					
ISCA2000	50W	4 1/4" (108mm)	15 5/16" (389mm)	10" (254mm)	6 1/16" (154mm)

Chicago Plenum

Add **P** at the end of the code to enhance your **IC** housing to meet Chicago Plenum requirements.
Ex.: ISCA2000**P**

California Title 24

Add **W** at the end of the code to enhance your **IC** housing to meet California Title 24 requirements.
Ex.: ISCA2000**W**

AIRTIGHT

IC housings meet ASTM E283 standard. These housings may be used in insulated ceilings and be covered with insulation material.

